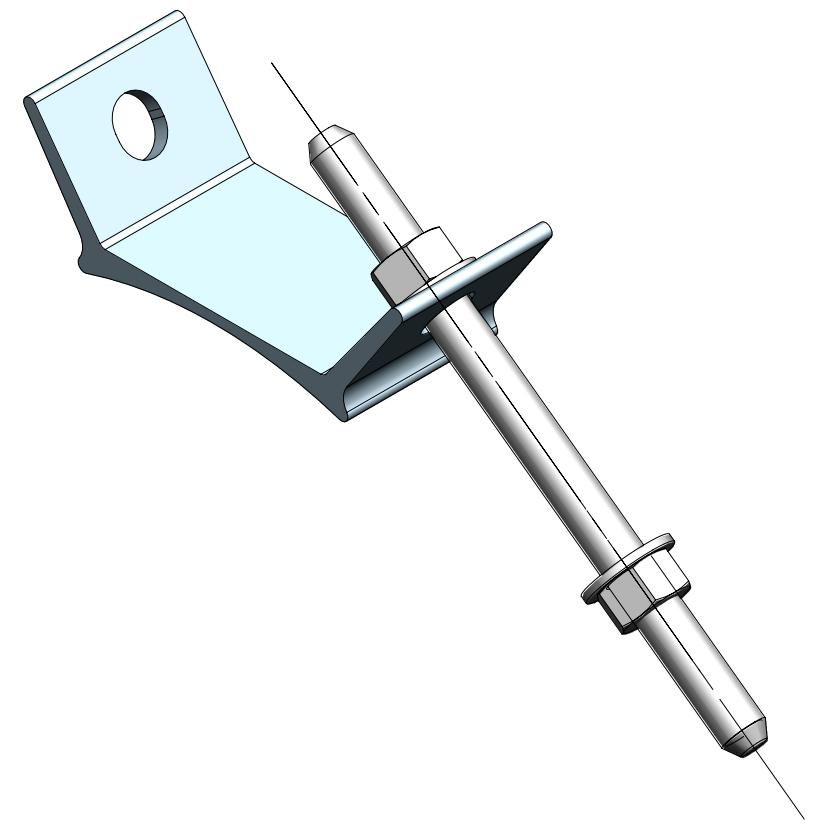
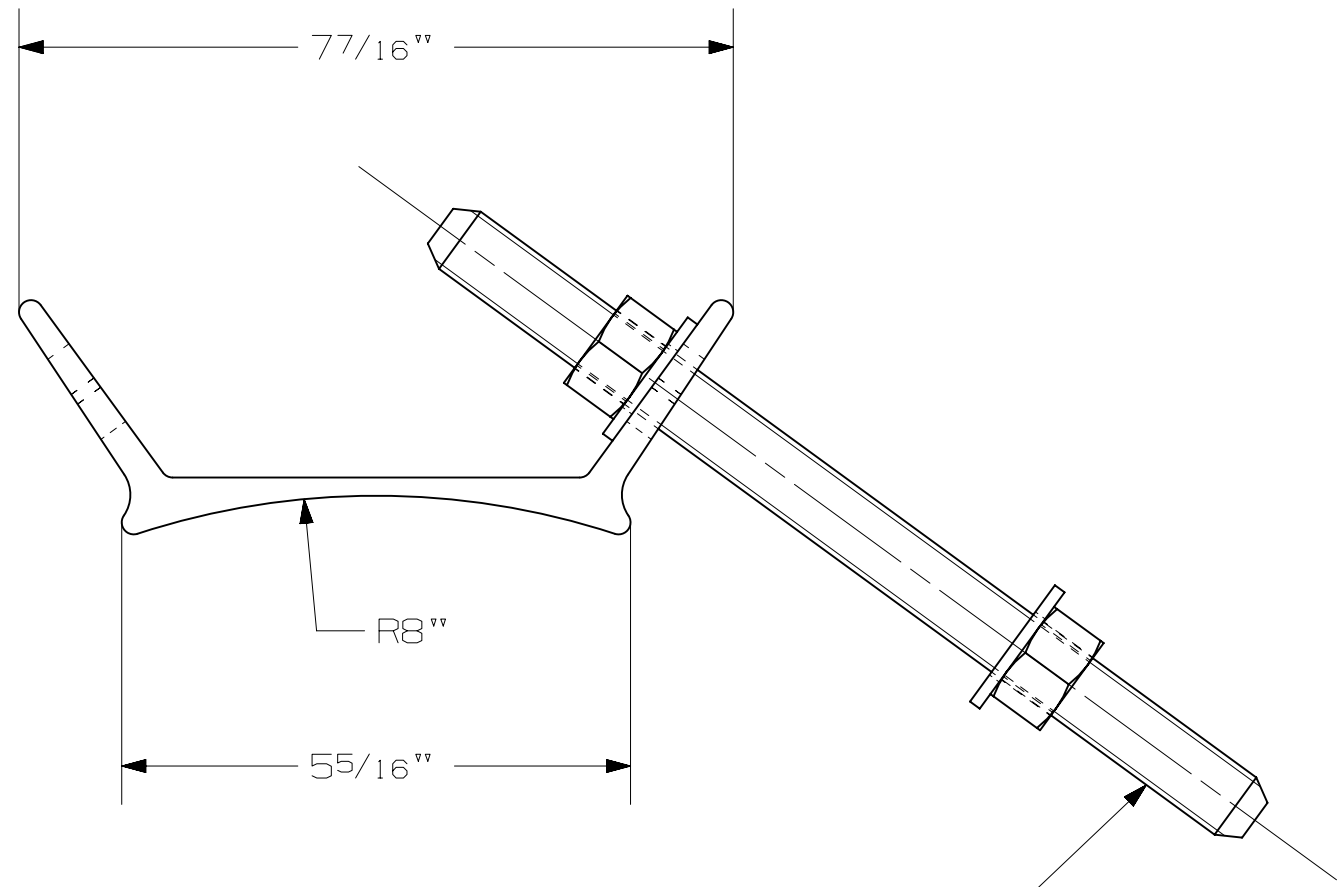
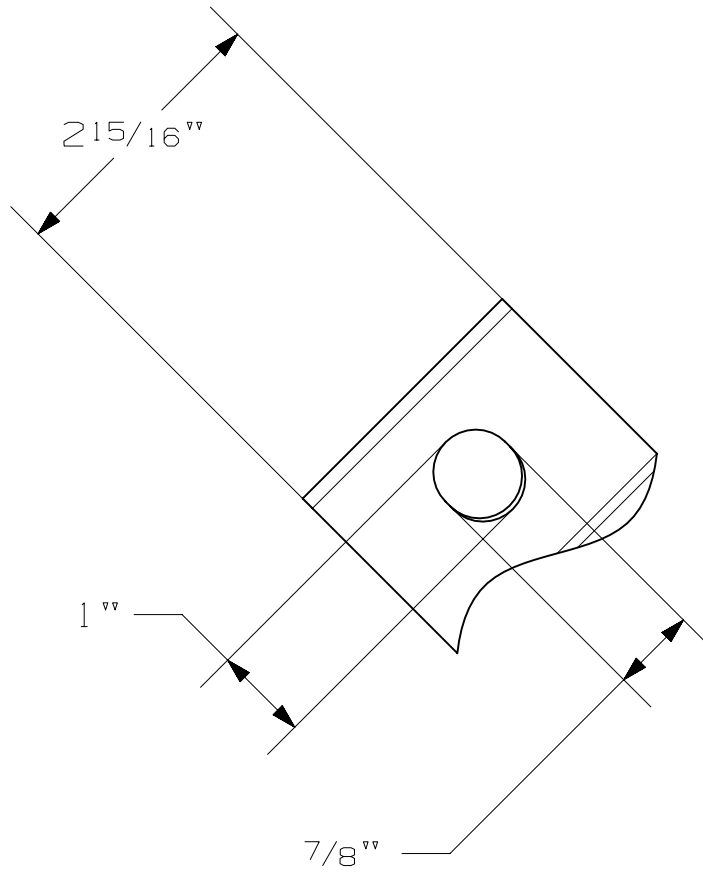


NOTES :

- 1.) MATERIAL: BRACKET, ALUMINUM 6061-T6
HARDWARE, GALVANIZED STEEL.
- 2.) NOT ASSEMBLED COMPLETE AS SHOWN.



3/4" X 12" D.A. BOLT,
3/4" HEX NUTS (2),
3/4" ROUND WASHERS (2).

CATALOG NUMBER: CEP18

LATEST EC NO:		REV.	DATE	CHANGED BY	RESP ENGINEER
---		-	-----	---	---
				DO NOT SCALE THIS DWG	THIRD ANGLE PROJECTION
				ISO DUAL DIMENSIONS IN=INCH, MM=MILLIMETER	
DRN BY:	DATE	TITLE:			SIZE
JUL	03-13-14	PLATE, EXTENSION			B
				DWG NO: SACEP-18	

CONFIDENTIAL: THIS DRAWING AND ITS CONTENTS ARE CONFIDENTIAL AND THE EXCLUSIVE PROPERTY OF HUBBELL POWER SYSTEMS, INC. NO PUBLICATION, DISTRIBUTION OR COPIES MAY BE MADE WITHOUT WRITTEN CONSENT BY HUBBELL POWER SYSTEMS, INC. © 2012 HUBBELL POWER SYSTEMS. UNPUBLISHED, ALL RIGHTS RESERVED UNDER THE COPYRIGHT LAWS